

POWER

SHIP EQUIPMENT

IT PRODUCES STAINLESS STEEL PRODUCTS, MARINE HARDWARE, CONSTRUCTION HARDWARE, WHICH ARE WIDELY USED IN MARINE TRANSPORTATION, ELECTRIC SHIP AND MANY OTHER FIELDS AND PROVIDES OEM AND ODM SERVICES.

Power Marine

E-mail: andy@power-marine.net
Mob: +86-15806581717
Contacts: Andy Zhang
Address: Qingdao City, Shandong Province, China

山东威盛工贸有限公司
Shandong Power Industry and Trade Co., Ltd.

COMPANY PROFILE

Our company mainly produces stainless steel products, marine hardware, construction hardware, products are widely used in marine transportation, electric ships and many other fields, and provides OEM and ODM services. Our company has CNC machine tools, salt spray test instruments, spectrometers and other professional equipment, providing sound material certificates for our products. With excellent service and product quality, we cover more than 100 countries in the world and are exported to the United States, the United Kingdom, Germany, France, Canada, Australia, the Netherlands, Taiwan, Japan, South Korea and other Europe and the United States and Southeast Asia. Our customers enjoy a high reputation.

Since its establishment, we have always adhered to the corporate philosophy of "quality first, integrity management", and for the purpose of "win-win", committed to scientific and technological innovation, building corporate brands, and meeting customer needs. Through more than 10 years of product integration, we have established a competitive product chain and become one of the top marine hardware suppliers. We adhere to the principle of customer first, strive to achieve customer success, and ultimately achieve win-win cooperation. We warmly welcome our customers to cooperate with us!





BOAT BOLLARD&FAIRLEAD

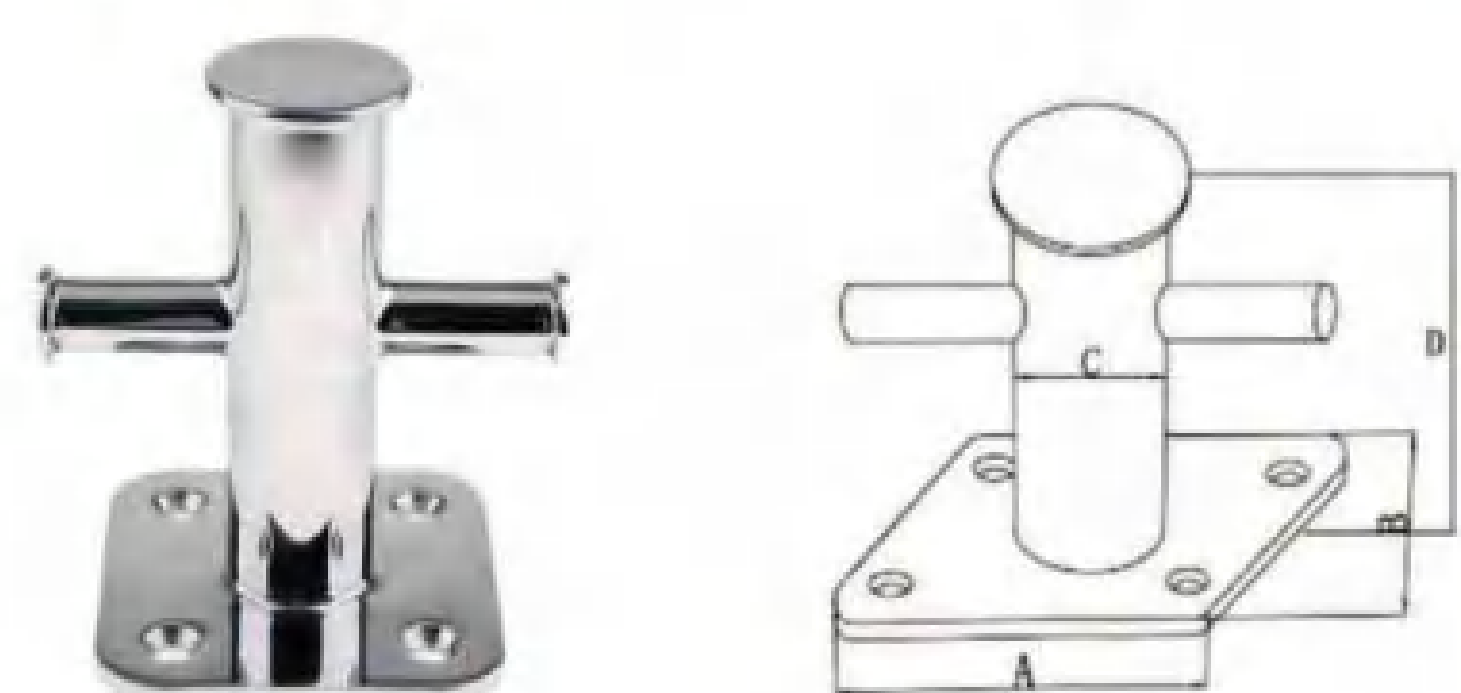
AISI316 STAINLESS STEEL DOUBLE CROSS BOLLARD
316不锈钢双十字缆桩



Code	A mm	B mm	C mm	Size
ALS951A	190	310	130	6"
ALS951B	190	370	150	8"
ALS951C	260	500	180	10"

Support private customization

AISI316 STAINLESS STEEL SINGLE BOLLARD
316不锈钢单十字缆桩



Code	A mm	B mm	C mm	Size
ALS950A	100	100	42	6"
ALS950B	135	135	50	8"
ALS950C	190	150	80	10"
ALS950D	240	190	80	12"

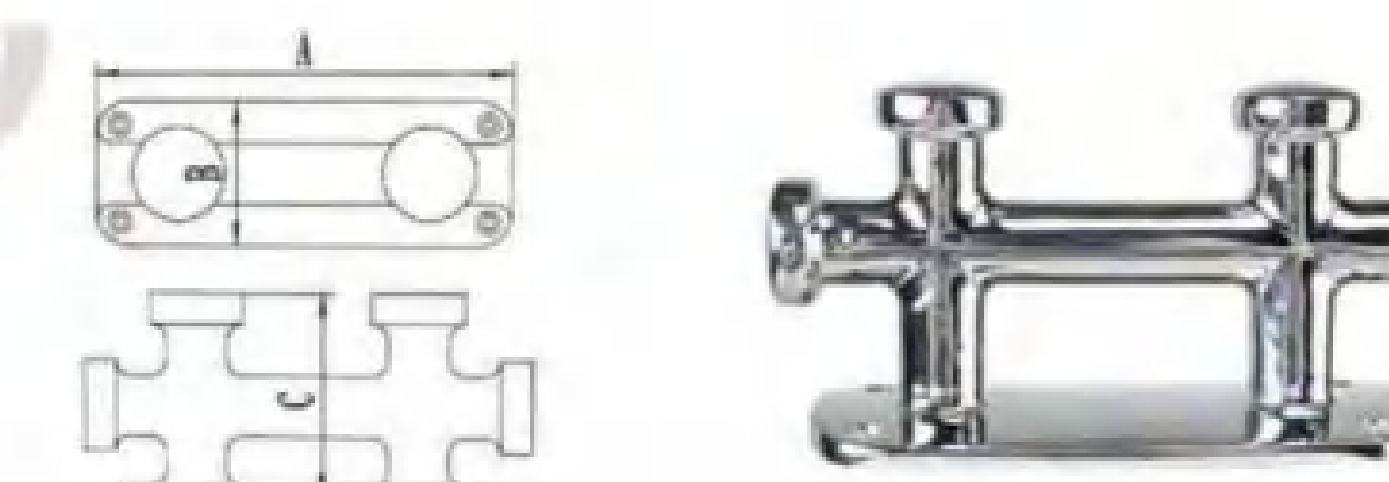
Support private customization

AISI316 STAINLESS STEEL SINGLE BOLLARD
316不锈钢单十字缆桩



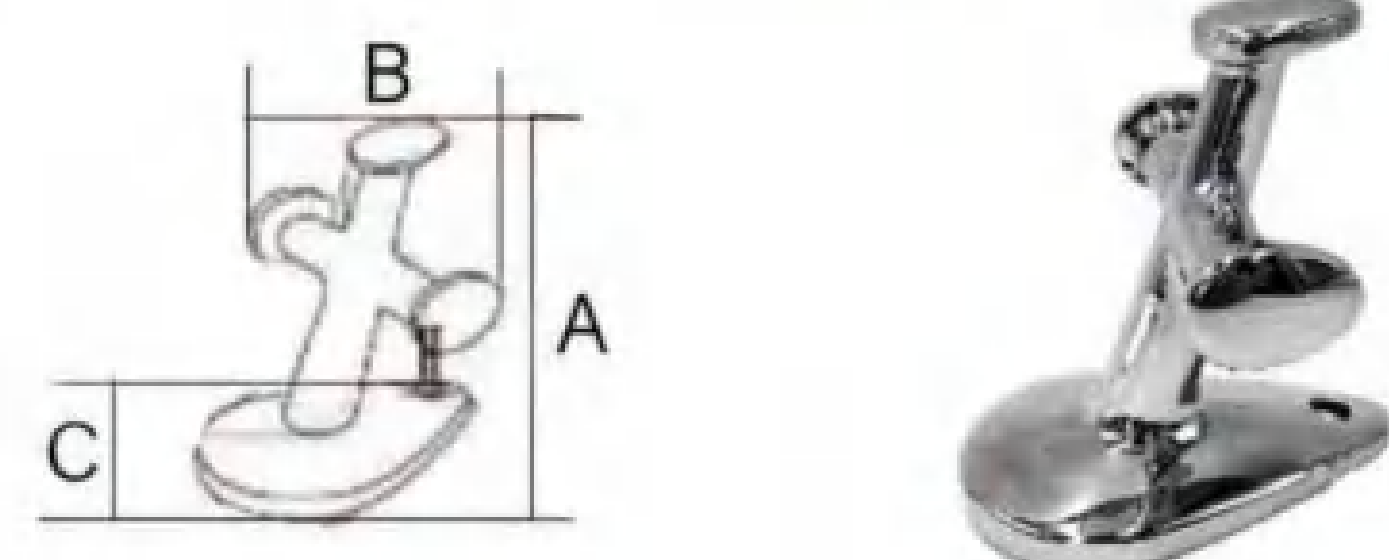
Code	A mm	B mm	C mm
ALS9401	62	62	81

AISI316 STAINLESS STEEL DOUBLE CROSS BOLLARD
316不锈钢双十字缆桩



Code	A mm	B mm	C mm
ALS9402	166	63	88

AISI316 STAINLESS STEEL SINGLE BOLLARD
316不锈钢心形缆桩



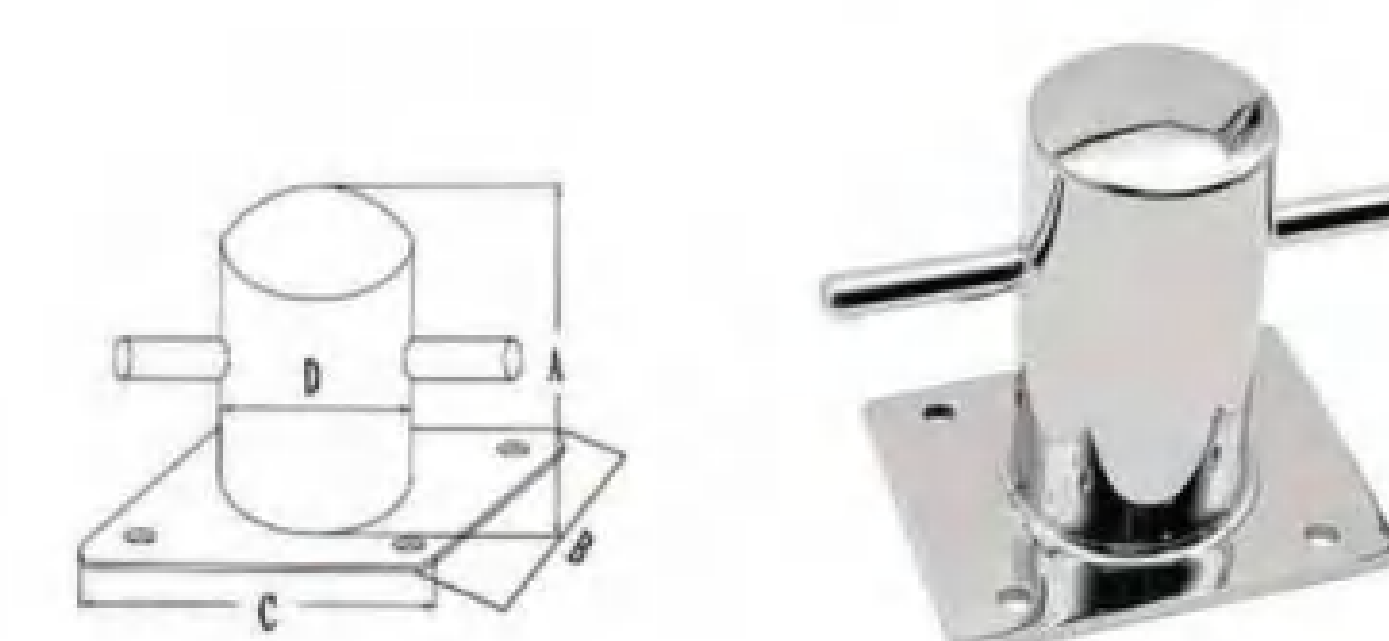
Code	A mm	B mm	C mm
ALS9403	98	86	94

AISI316 STAINLESS STEEL BOLLARD
316不锈钢筒子缆桩



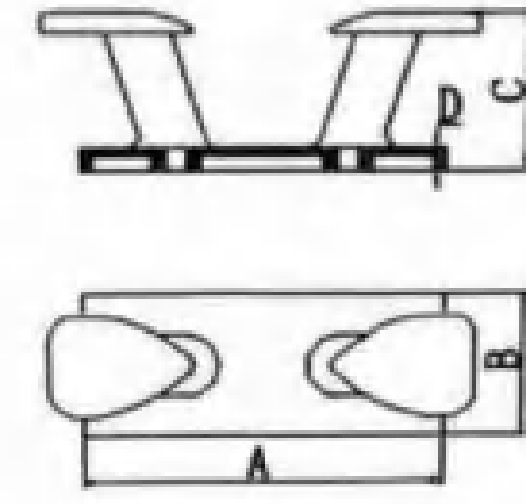
Code	A mm	B mm	C mm	D mm
ALS952A	100	80	90	50
ALS952B	120	90	120	60

AISI316 STAINLESS CASTING BOLLARD
316不锈钢重型筒子缆桩



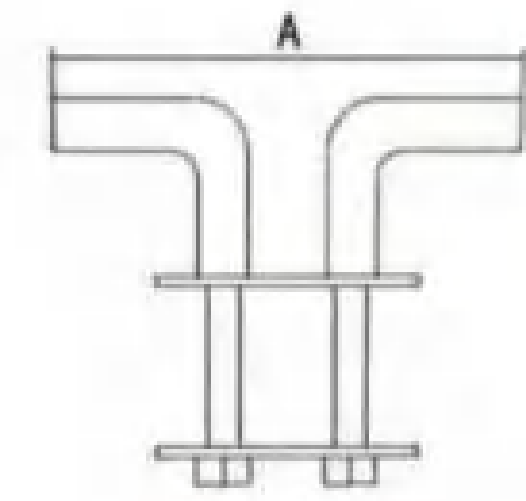
Code	A mm	B mm	C mm	D mm
ALS953A	125	97	122	60
ALS953B	154	121	152	76

AISI316 STAINLESS STEEL BOLLARD
316不锈钢板凳缆桩



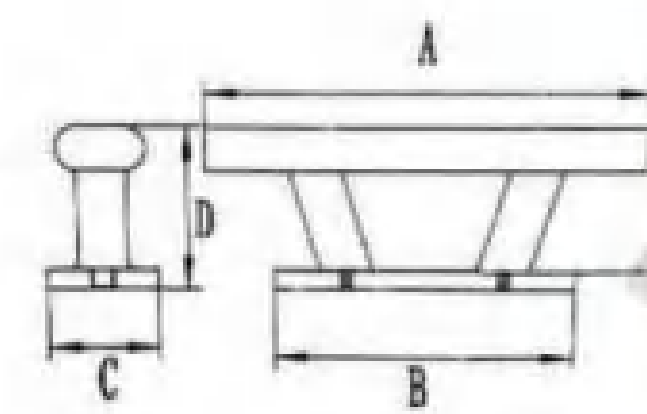
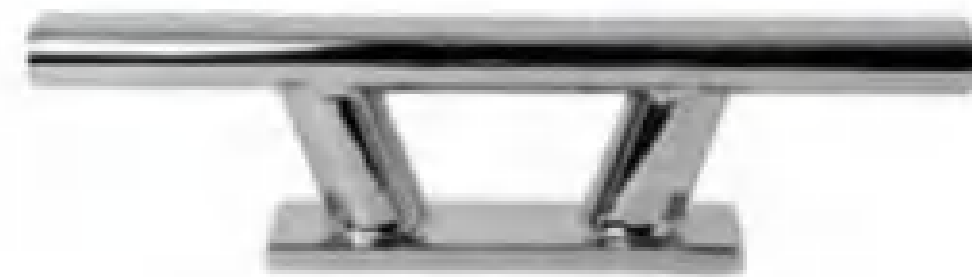
Code	A mm	B mm	C mm	Size
ALS953C	152	60	62	6"
ALS953D	203	70	77	8"
ALS953E	255	80	91	10"
ALS953F	310	90	109	12"

AISI316 STAINLESS STEEL BOLLARD
316不锈钢雁型缆桩



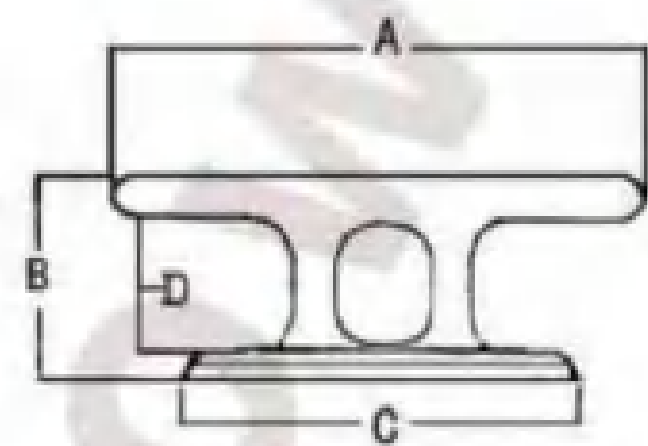
Code	A mm
ALS954A	300

AISI316 STAINLESS STEEL BOLLARD CLEAT
316不锈钢空心缆桩



Code	A mm	B mm	C mm	D mm	Size
ALS3006	150	118	19	53	6"
ALS3008	215	137	34	56	8"
ALS3010	265	150	40	68	10"
ALS3012	310	175	50	78	12"

AISI316 STAINLESS STEEL DOCK BOLLARD
316不锈钢方孔码头缆桩



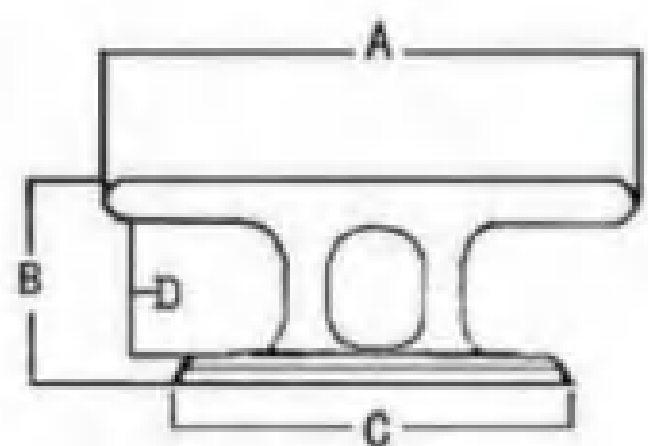
Code	A mm	B mm	C mm	D mm	Size
ALS955A	265	100	200	65	10"
ALS955B	305	120	225	81	12"

AISI316 STAINLESS STEEL DOCK BOLLARD SCREW
316不锈钢方孔码头缆桩定制螺丝



Code	A mm	B mm	C mm	D mm
ALS955-A-Screw	68	25.8	14	50
ALS955-B-Screw	68	25.8	14	50

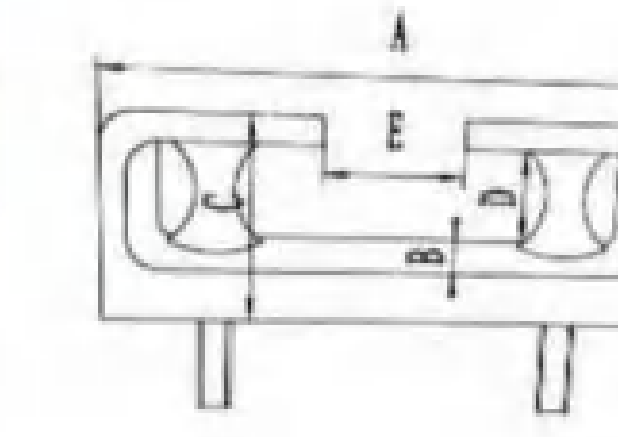
AISI316 STAINLESS STEEL DOCK BOLLARD
316不锈钢斜型码头缆桩



Code	A mm	B mm	C mm	D mm
ALS956A	302	102	229	70

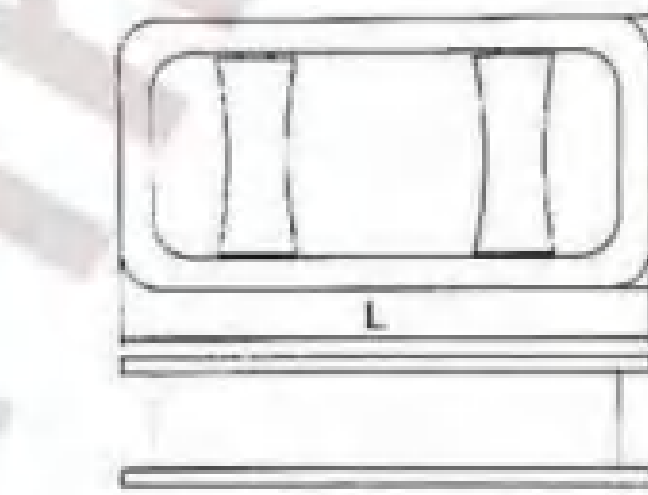
AISI316 STAINLESS STEEL FAIRLEAD ROLLER
316不锈钢导缆轮缆桩

Code	A mm	B mm	C mm	D mm	Emm
ALS960A	200	41	57	35	43
ALS960B	250	45	80	49	44

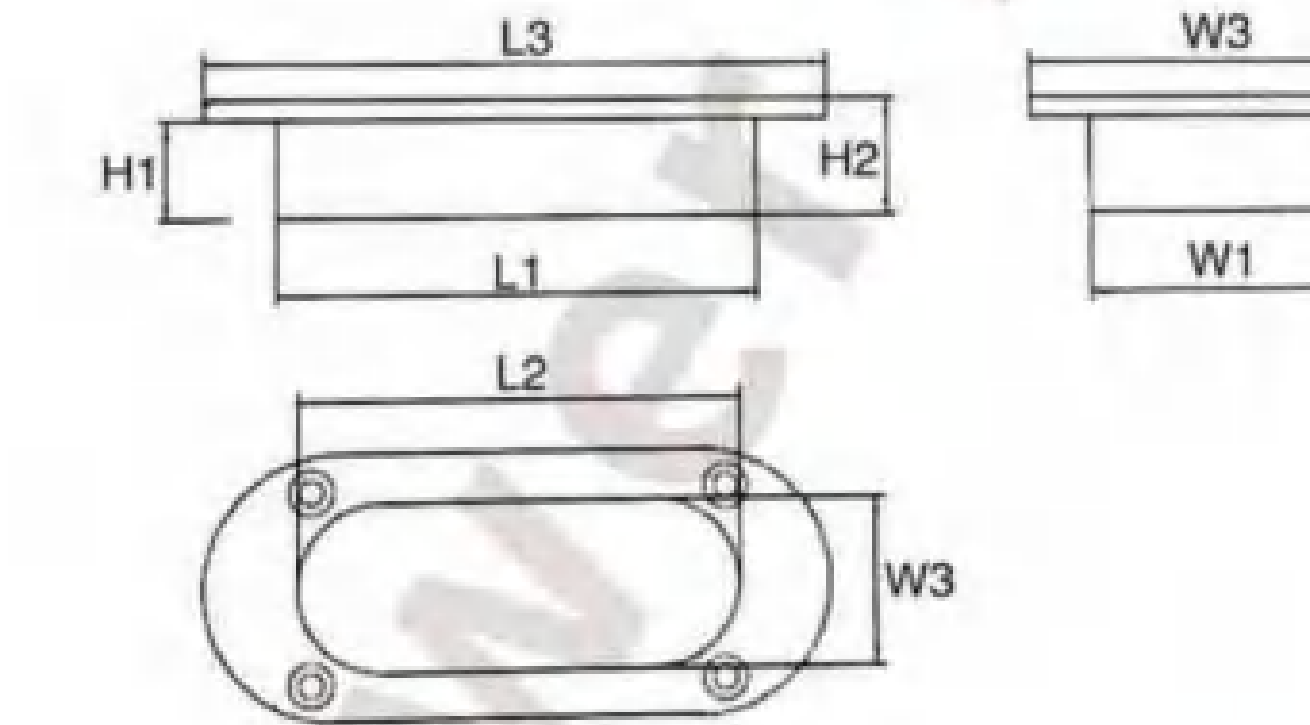


AISI316 STAINLESS STEEL FAIRLEAD ROLLER
双轮导缆孔

Code	L mm	Wmm
ALS961A	340	160

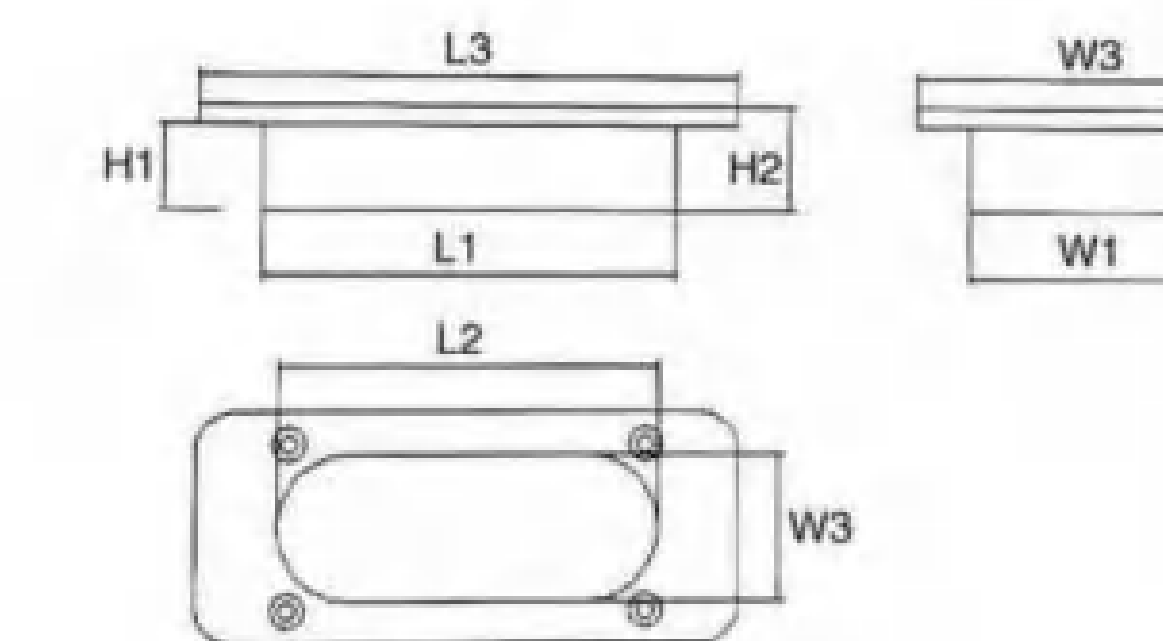


AISI316 STAINLESS STEEL HAWSE PIPE
316不锈钢椭圆导缆孔



Code	L1 mm	L2 mm	L3 mm	W1 mm	W2 mm	W3 mm	H1 mm	H2 mm
ALS962A	103	95	138	47	38	67	23	28
ALS962B	188	175	237	88	75	136	24.6	30.6

AISI316 STAINLESS STEEL HAWSE PIPE
316不锈钢方孔导缆器



Code	L1 mm	L2 mm	L3 mm	W1 mm	W2 mm	W3 mm	H1 mm	H2 mm
ALS963A	128	120	151	58	50	81	30.7	37.2

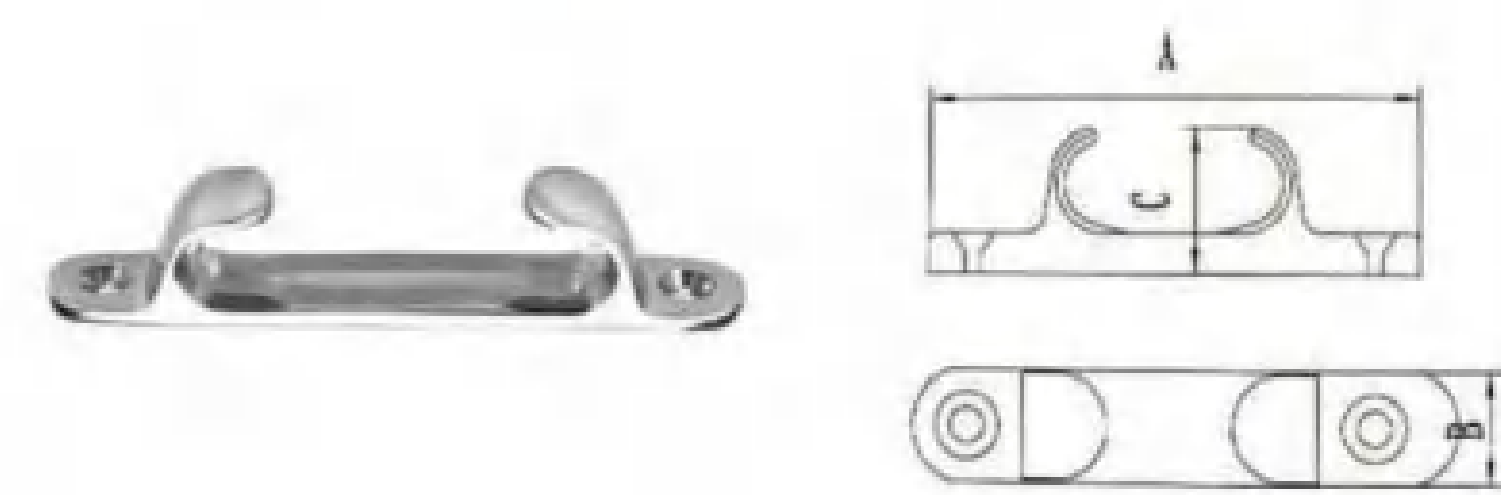


AISI316 STAINLESS STEEL BOW CHOCK HEAVY
316不锈钢重型导缆器



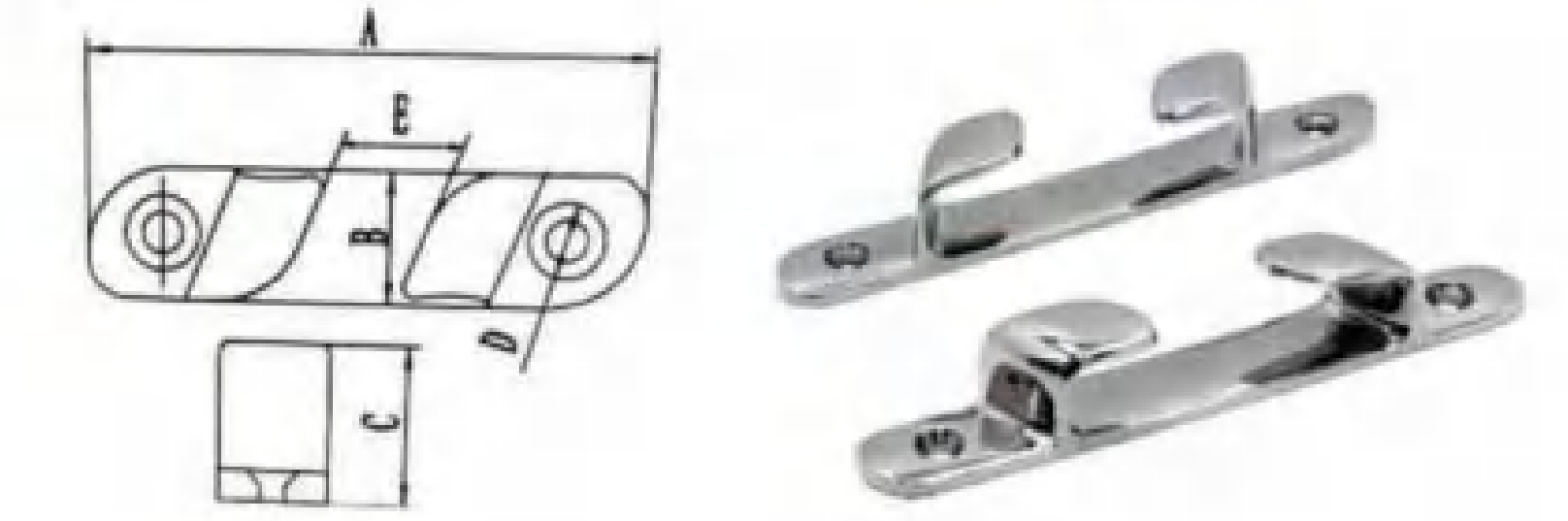
Code	Pair	A mm	B mm	C mm	Dmm
ALS964A	Left	280	80	85	100
	Right	280	80	85	100

AISI316 STAINLESS STEEL BOW CHOCK
316不锈钢直导缆器



Code	A mm	B mm	C mm	Size
ALS965A	100	19	27	4inch
ALS965B	125	21	32	5inch
ALS965C	152	22	32	6inch
ALS965D	203	36	38	8inch
ALS965E	254	45	40	10inch

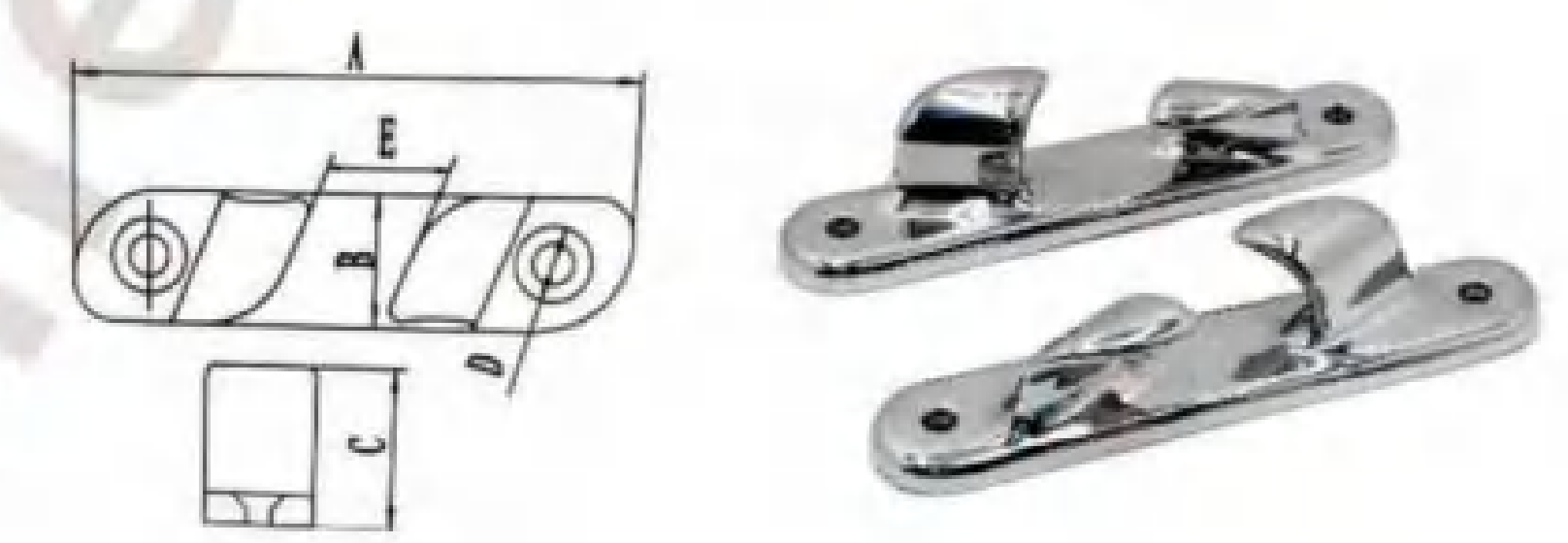
AISI316 STAINLESS STEEL BOW CHOCK
316不锈钢斜平导缆器



Code	A mm	B mm	C mm	Size
ALS966A	125	19	23.5	5 inch
ALS966B	152	24	26.3	6inch

A pair, Left&Right

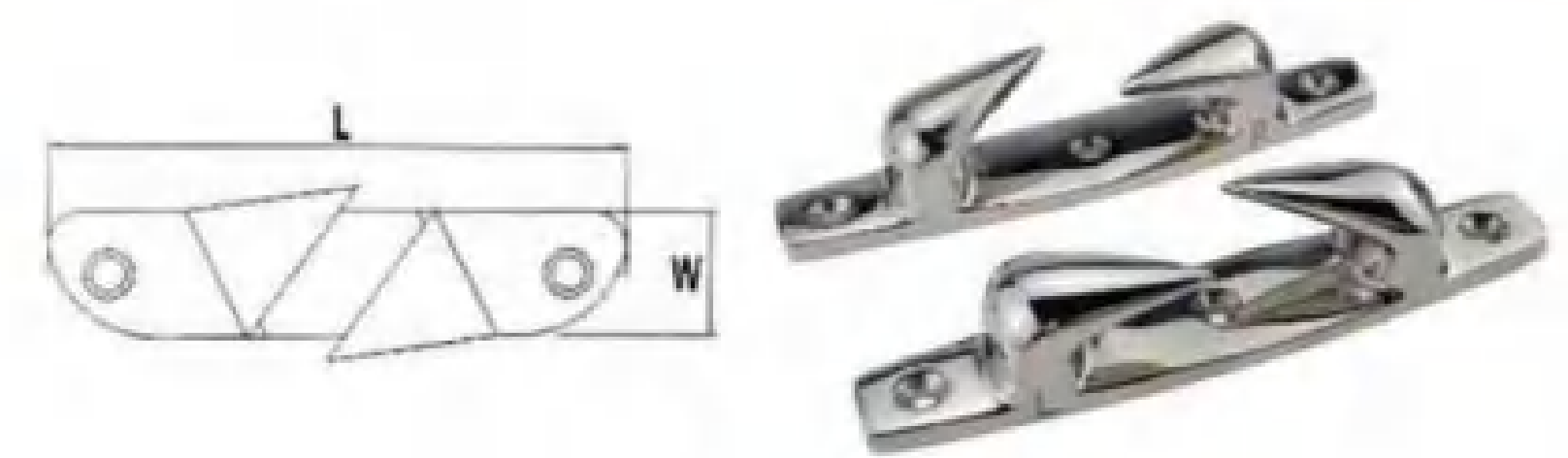
AISI316 STAINLESS STEEL BOW CHOCK
316不锈钢斜凹导缆器



Code	A mm	B mm	C mm	Size
ALS967A	152	34	34	6inch
ALS967B	205	38	45	8inch
ALS967C	254	48	52	10inch

A pair, Left&Right

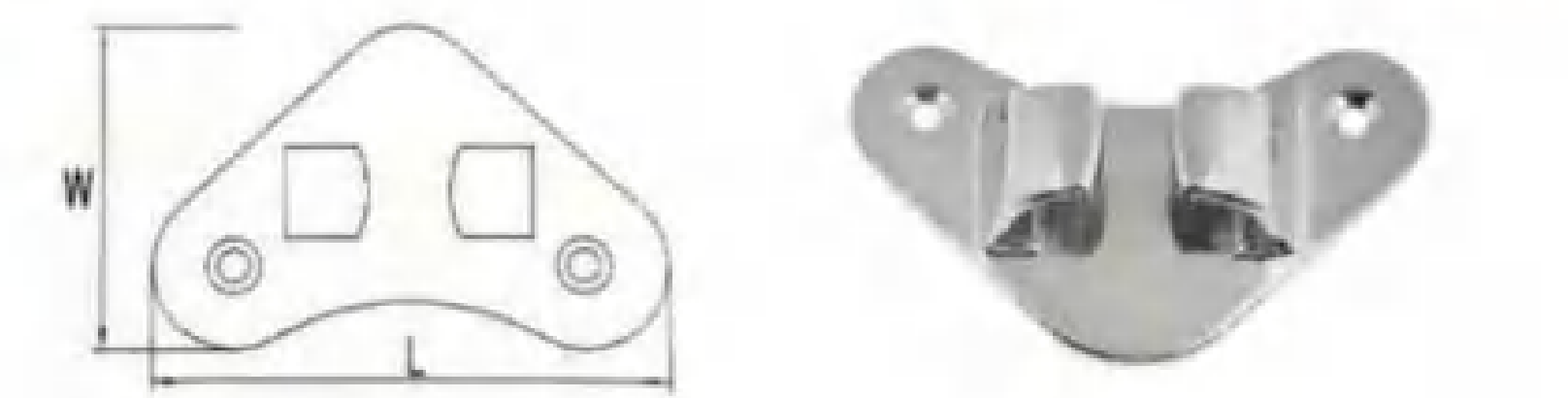
AISI316 STAINLESS STEEL BOW CHOCK
316不锈钢斜尖导缆器



Code	L mm	W mm	Screw	Size
ALS968A	118	22	8	4-1/2inch
ALS968B	152	35	8	6inch

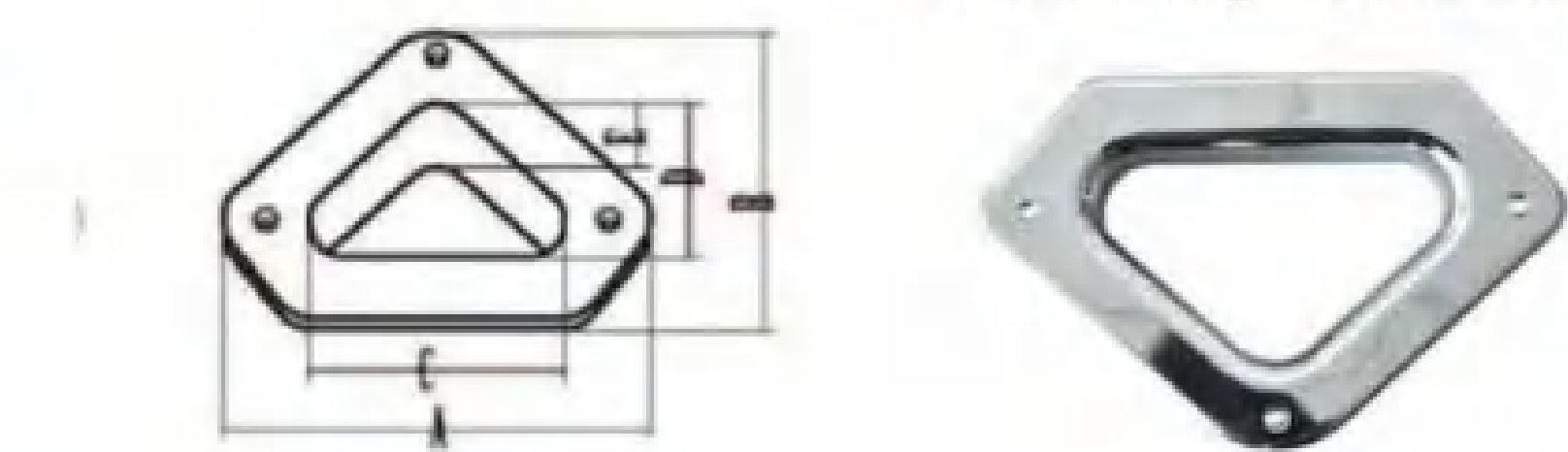
A pair, Left&Right

AISI316 STAINLESS STEEL ALSIANGLE BOW CHOCK
316不锈钢蝴蝶导缆器



Code	L mm	W mm
ALS969A	107	65

AISI316 STAINLESS STEEL HAWSEPIPE
316不锈钢三角导缆器



Code	Amm	B mm	Cmm	Dmm	Emm
ALS980A	268	172	160	95	34

AISI316 STAINLESS STEEL ALSIANGLE BOW CHOCK
316不锈钢导缆器

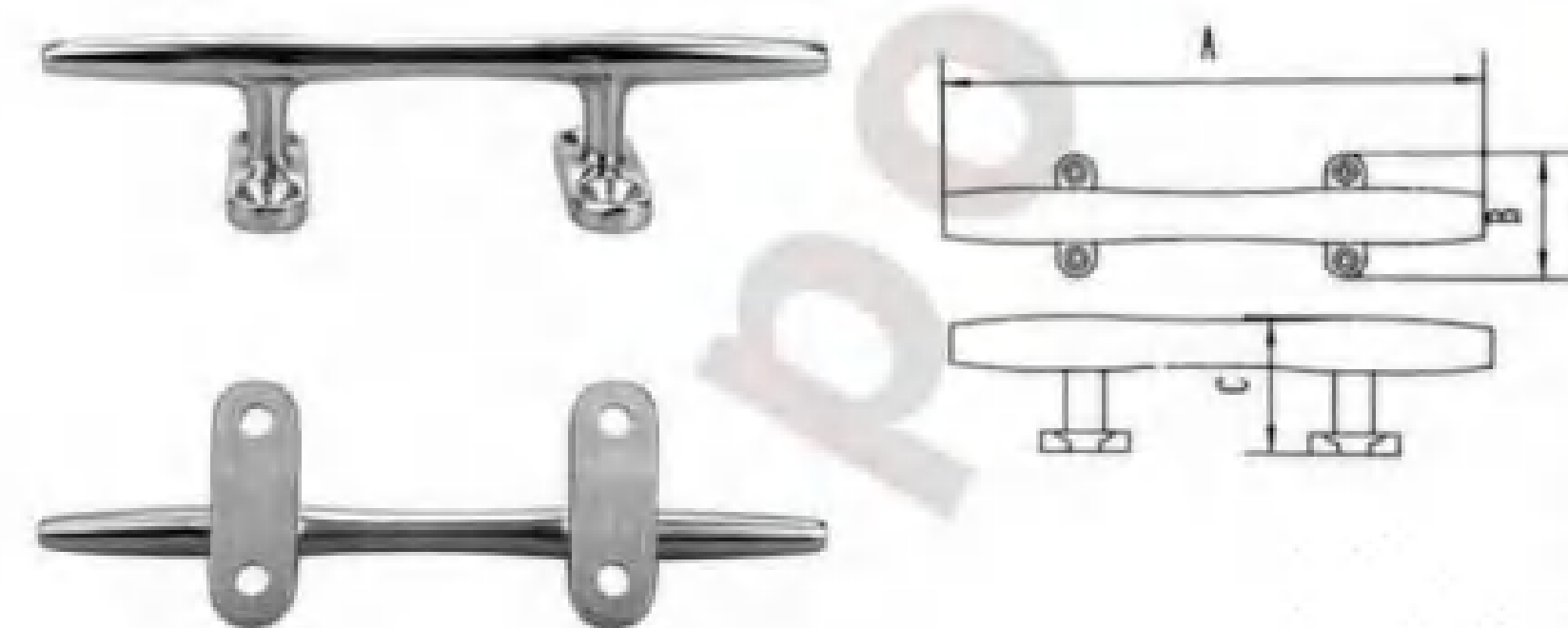


Code	SIZE
ALS970A	63mm*25mm



BOAT CLEAT

AISI316 STAINLESS STEEL HOLLOW BASE CLEAT
316不锈钢羊角索栓



Code	A mm	B mm	C mm	Size
ALS1004	101	36	25	4inch
ALS1005	127	39	30	5inch
ALS1006	150	46	30	6inch
ALS1008	203	53	40	8inch
ALS1010	255	64	45	10inch
ALS1012	302	70	53	12inch
ALS1015	378	78	64	15inch

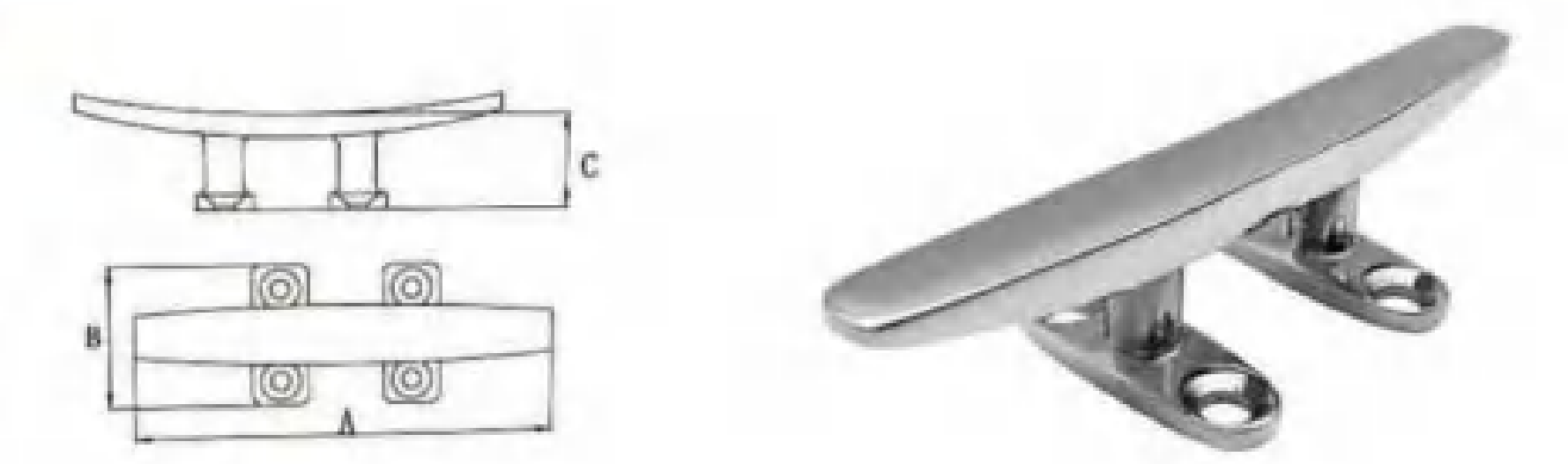
AISI316 STAINLESS STEEL HEAVY DUTY CLEAT
316不锈钢重型羊索栓



Code	A mm	B mm	C mm	Size
ALS1104	100	36	27	4inch
ALS1105	125	38	29	5inch
ALS1106	152	44	30	6inch
ALS1108	203	54	38	8inch
ALS1110	254	65	44	10inch
ALS1112	304	70	53	12inch

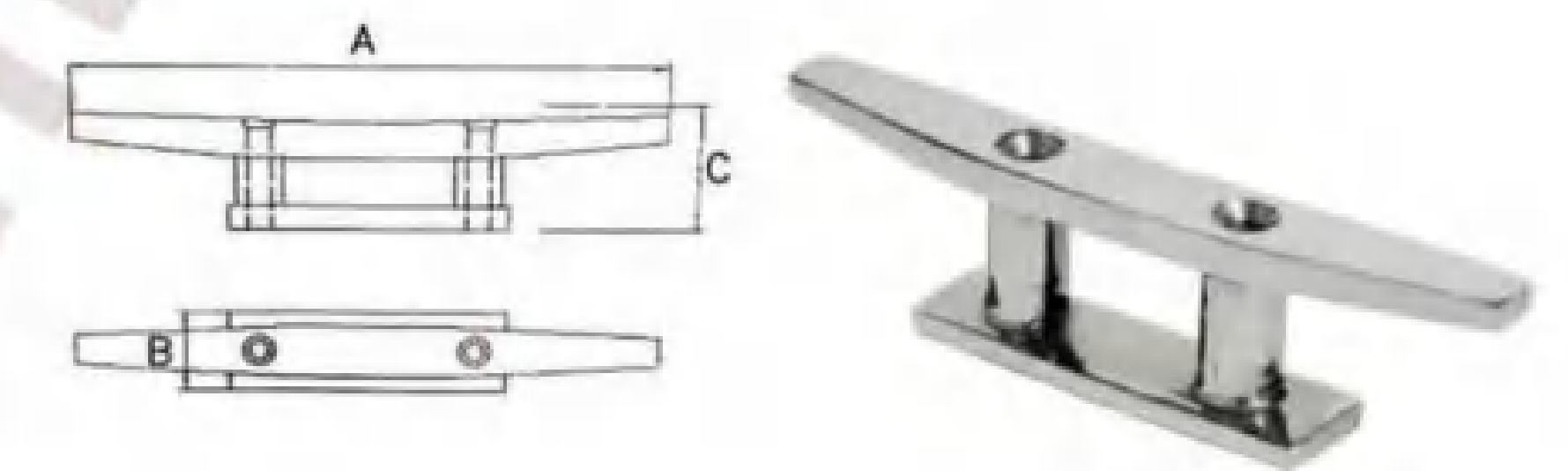
AISI316 STAINLESS STEEL SILHOUETTE CLEAT
316不锈钢扁型索栓

Code	A mm	B mm	C mm	Size
ALS1204	100	36	25	4inch
ALS1205	125	46	25	5inch
ALS1206	152	56	28	6inch
ALS1208	203	62	31	8inch
ALS1210	254	64	40	10inch
ALS1212	302	75	50	12inch



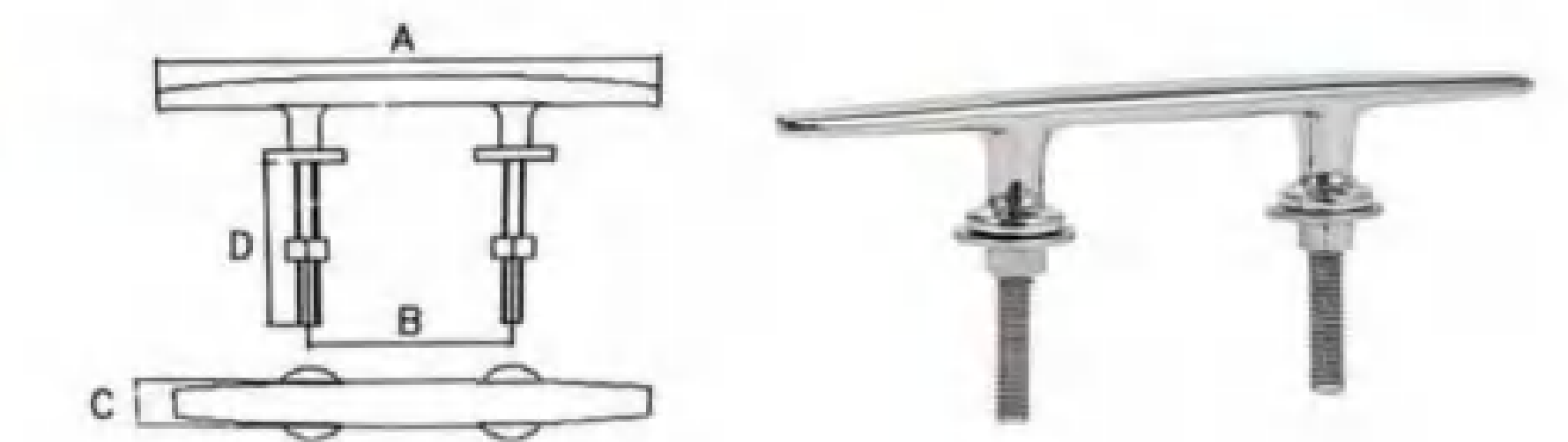
AISI316 STAINLESS STEEL MAST CLEAT
316不锈钢连体索栓

Code	A mm	B mm	C mm	Size
ALS1304	100	13	30.2	4inch
ALS1305	125	17	35.5	5inch
ALS1306	152	19	39.5	6inch
ALS1308	203	23	45.5	8inch
ALS1310	252	24	47.6	10inch



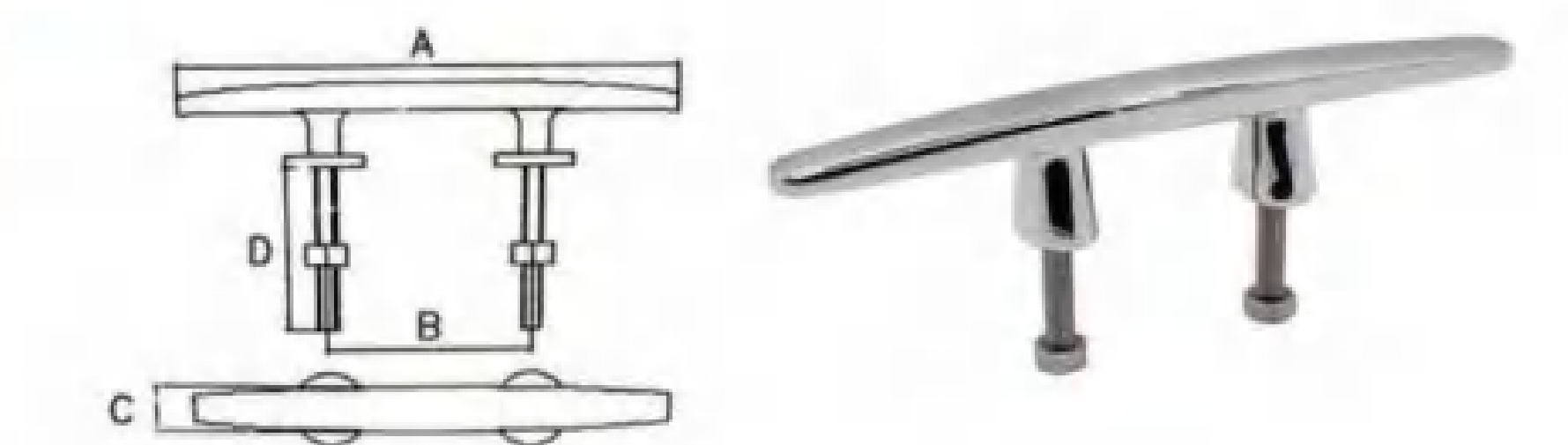
AISI316 STAINLESS STEEL HUMPBACKED CLEAT
316不锈钢轻驼型索栓

Code	A mm	B mm	C mm	D mm	Size
ALS1406	150	63	18	45	6inch
ALS1408	200	84	22.5	45	8inch
ALS1410	250	106	28.3	45	10inch



AISI316 STAINLESS STEEL HUMPBACKED CLEAT
316不锈钢重驼型索栓

Code	A mm	B mm	C mm	D mm	Size
ALS1506	150	46	16	47	6inch
ALS1508	200	58	20	47	8inch
ALS1510	250	75	24.5	47	10inch

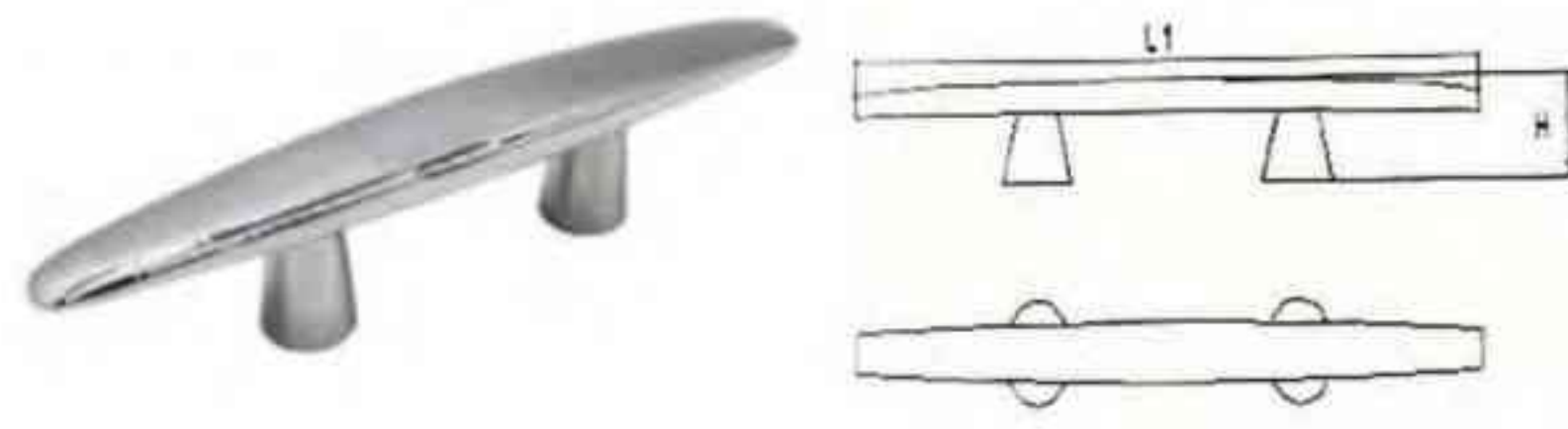


AISI316 STAINLESS STEEL BOLLARD
316不锈钢把手索栓

Code	L mm	W mm	H1 mm	H2 mm
ALS1705	125	26	44	45
ALS1706	150	45	56	45



AISI316 STAINLESS STEEL CLEAT
316不锈钢把手索栓



Code	L1 mm	H mm	Size
ALS908	205	35	8inch
ALS910	250	45	10inch
ALS912	304	47	12inch
ALS915	385	55	15inch

AISI316 STAINLESS STEEL S STYLE CLEAT
316不锈钢S型索栓



Code	A mm	B mm	C mm	Dmm	Emm
ALSH007S	260	70	40.5	114.5	M12

AISI316 STAINLESS STEEL CLEAT "K"
316不锈钢K型索栓



Code	Lmm	Hmm
ALS2108A	215	43

AISI316 STAINLESS STEEL TIE DOWN CLEAT
316不锈钢绳栓



Code	A mm	B mm	C mm	Size
ALS013A	67	10	10	2inch
ALS013B	112	13	20	4inch
ALS013C	151	18	25	6inch

AISI316 STAINLESS STEEL RING CLEAT COMBI
316不锈钢牛型索栓



Code	Lmm	Dmm	Hmm
ALS2201A	175	62	68

AISI316 STAINLESS STEEL CLEAT
316不锈钢索栓



Code	A mm	B mm
ALS2920	260	58
ALS2922	300	65

AISI316 STAINLESS STEEL CLEAT
316不锈钢鸭嘴型索栓



Code	Lmm	Dmm
ALS2301A	153	46

AISI316 STAINLESS STEEL CLEAT
316不锈钢船用把手



Code	Lmm	Dmm
ALS2401A	143	43



AISI316 STAINLESS STEEL FLIP UP CLEAT
316不锈钢提拉索栓



Code	A mm	B mm	C mm	Size
ALS2045	118	42	28	4.5inch
ALS2406	152	51	30	6inch
ALS2408	200	66	35	8inch

AISI316 STAINLESS STEEL FOLDING CLEAT
316不锈钢折叠索栓



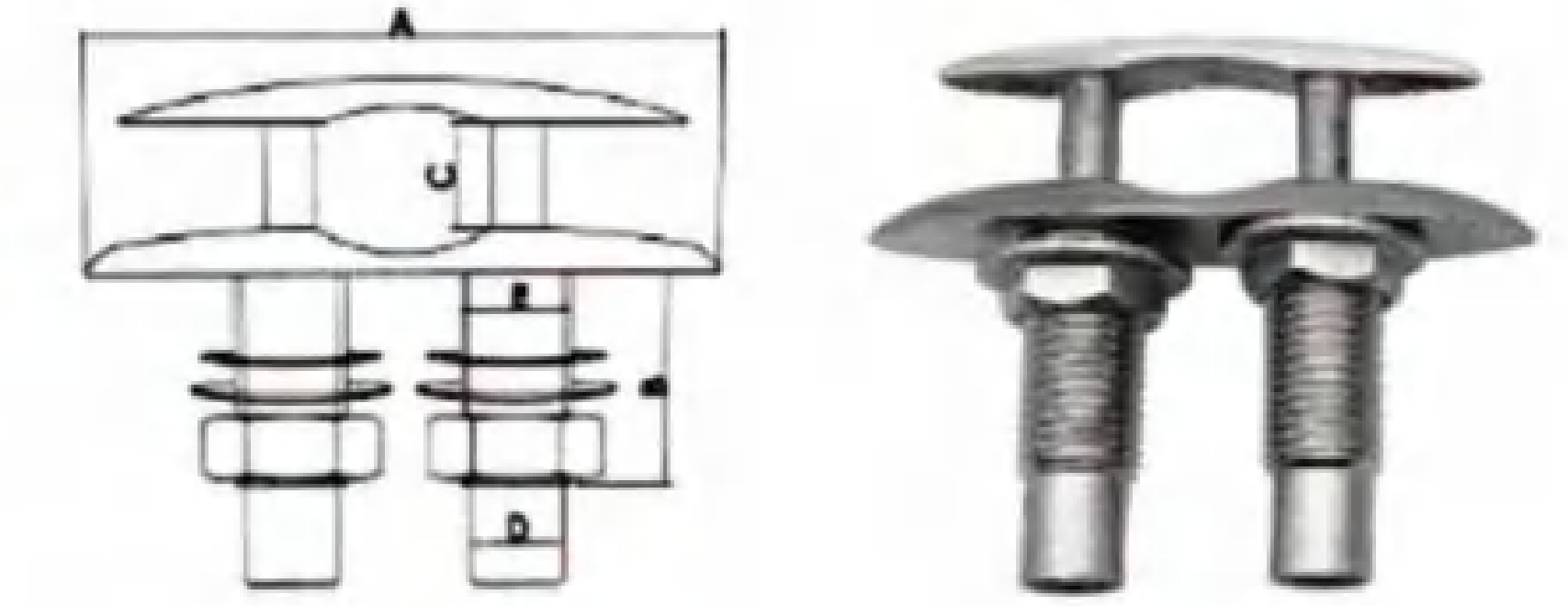
Code	Amm	Bmm	Size
ALS2505	127	43	5inch
ALS2506	155	52	6inch
ALS2508	203	73	8inch

AISI316 STAINLESS STEEL FOLDING CLEAT WITH THREAD
316不锈钢带螺丝提拉索栓



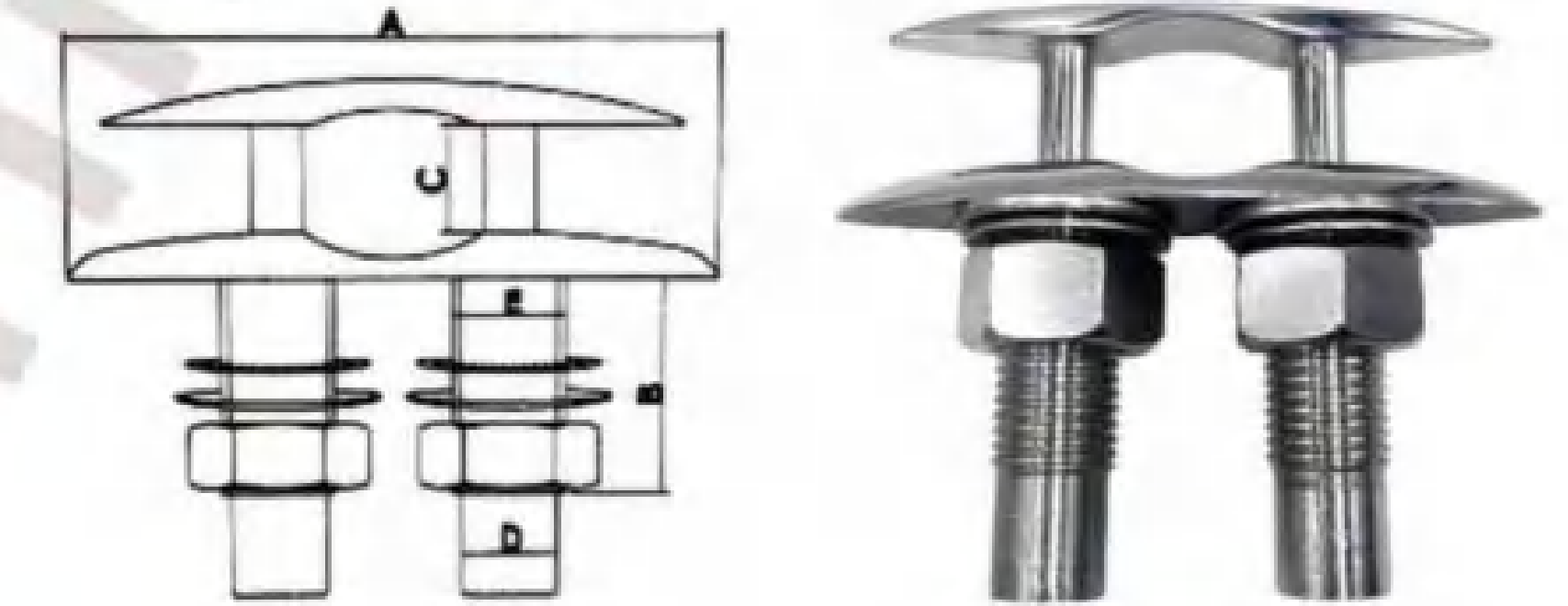
Code	L mm	Wmm	Hmm	Size
ALS2605	126	44	110	5inch
ALS2606	155	54	135	6inch
ALS2608	210	73	150	8inch

AISI316 STAINLESS STEEL FIUSH POP UP CLEAT
316不锈钢隐形索栓



Code	A mm	B mm	C mm	Emm	Size
ALS2705	125	44	23	22	5inch
ALS2706	152	45	20.5	22	6inch

AISI316 STAINLESS STEEL HEAVY POP UP CLEAT
316不锈钢隐形索栓



Code	A mm	B mm	C mm	Emm	Size
ALS2705B	125	44	23	22	5inch
ALS2706B	152	45	20.5	22	6inch

AISI316 STAINLESS STEEL FIUSH CLEAT
316不锈钢抽拉索栓



Code	A mm	B mm	C mm	Size
ALS2805	129	32	65	5inch
ALS2806	160	35	70	6 inch
ALS2808	210	45	96	8 inch
ALS2810	260	57	121	10 inch
ALS2812	310	69	125	12 inch



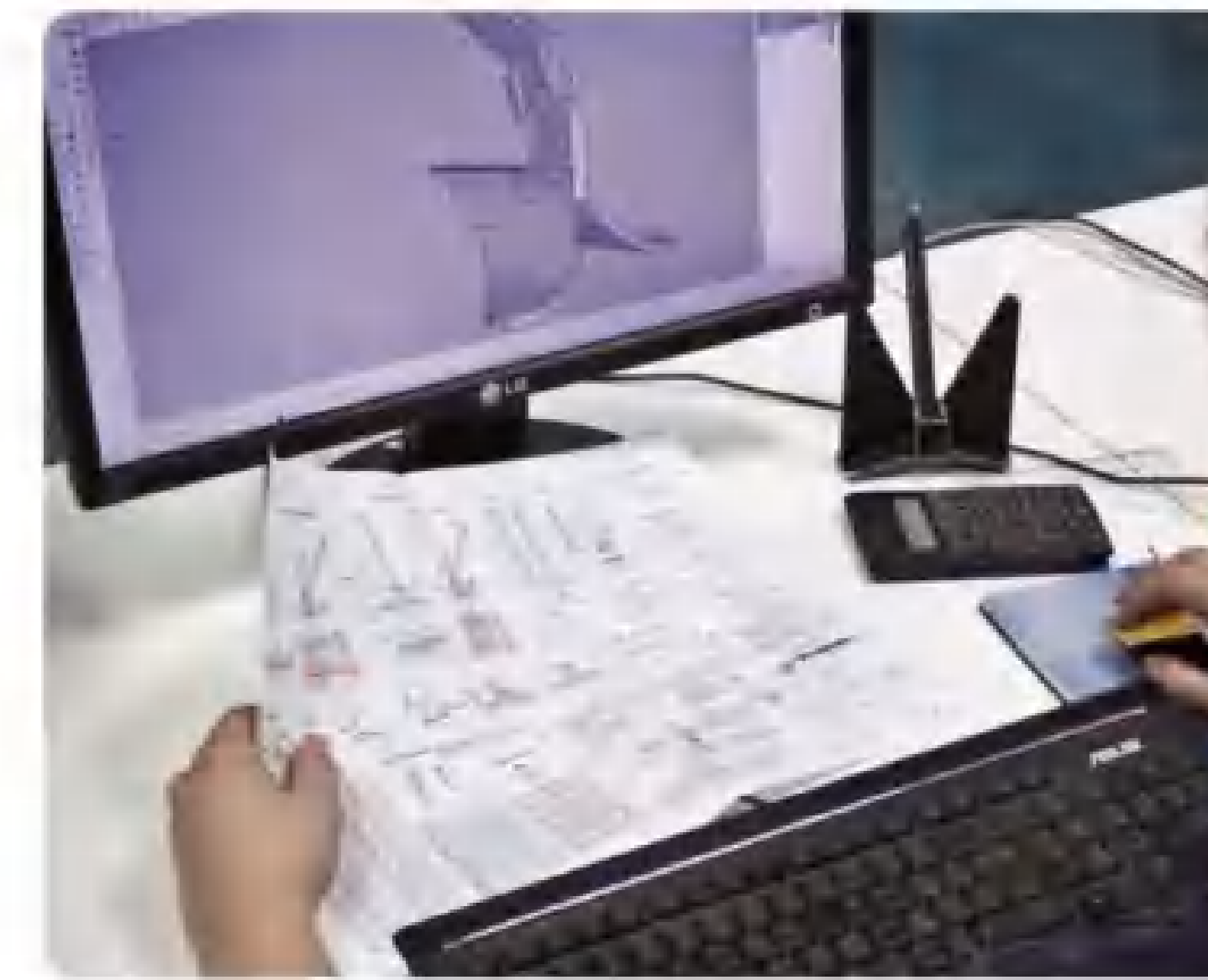
INFORMATION FOR PROSPECTIVE AGENTS

We are accepting agent applications from reputable individuals and businesses, who are able to refer qualified and genuine clients to us. If you are interested in working with Power as one of our registered agent/representative. Kindly send the following information by email to: andy@power-marine.net

- Your name.
- If applicable, the Name of your Business and the Name of Business/Company Owners.
- Your Resume/CV (Detailed information about you).
- If applicable, your Business/Company Profile.
- Your Contact Address or Business Address.
- Phone number(s).
- Email address.
- Your Website and Social Media details/URL (if any).
- Information about your Primary Market(s) (i.e. cities where most of your clients will come from).
- Your Promotion and Marketing Tactics/Strategy.
- How did you hear about us? (e.g. family/friend, Facebook, Google search, Flyer, etc.).
- Optional: Any Additional Relevant Information.

Kindly note that to become an agent of Power, you must complete a 3-Step Screening Process. This is to ensure that we only work with trustworthy, professional, and reliable individuals/businesses. By providing the above information, you have completed Step 1. If selected, we will notify you by email on the next steps (i.e. steps 2 & 3).

Thank you in advance for your interest in working with Power!



Design and development



Marine grade raw materials



Mold manufacturing



Wax Pattern



Laser Cutting



Casting Pouring



Machining



Spectrometer Detection



Mirror Polishing



Welding



CNC Machine



Warehouse